

**MaharMashalSabz  
Engineering Company**

**MMS CO PRODUCTS**

# Resume

Mahar Masha'al Sabz Engineering Co. successfully designed and finally produced pressure switch set in years 1995 until 1998 according to German DIN 3398 International Standards. Produced switch of this company is a reversed engineering model of product of German company, DUNGS-TECHNIC which has had a little revision and changes from the stage of initial designing.

Since one of the above mentioned set's major applications is in home and industrial Gas Burner infused torches as a controller of proper amount of mixture of GAS and AIR, our company has been successful in supplying partly and in some cases the whole pressure switches for factories after introducing the above mentioned set to quality control groups of factories manufacturing Gas Burner and performing their proposals of DIN-3398 German standard and providing complementary technical conditions and removal of the set's defects.

# We t ry You Judge

- ▶ FOR ALL GAS BURNERS .
- ▶ %100 TESTED .
- ▶ %100 GUARANTY .



# OUR PRODUCTS



# PS GW3



No .	Model	Adjust rang ( mbar)	Degree of protection	Differential pressure switch $\Delta p$ ( mbar )
1	GW3 A4	0.4 - 3	IP54	$0.1 \leq \Delta p \leq 0.3$

# PS GW 10



No .	Model	Adjust rang ( mbar)	Degree of protection	Differential pressure switch $\Delta p$ ( mbar )
2	GW 10 A 4	1 - 10	IP 54	$\Delta p \leq 0.6$



# PS GW 50



No .	Model	Adjust rang ( mbar)	Degree of protection	Differential pressure switch $\Delta p$ ( mbar )
3	GW50 A4	2.5 - 50	IP 54	$\Delta p \leq 0.75$

# PS GW 150



No .	Model	Adjust rang ( mbar)	Degree of protection	Differential pressure switch $\Delta p$ ( mbar )
4	GW 150 A 4	30 - 150	IP 54	$\Delta p \leq 5$

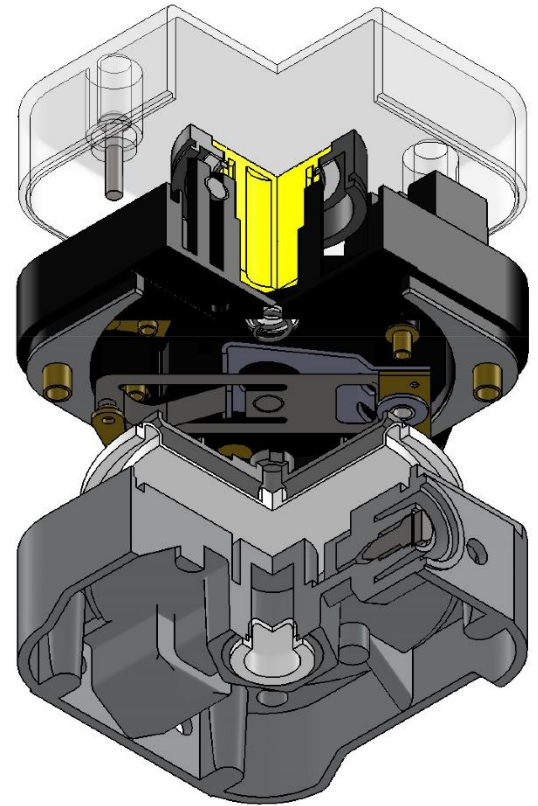
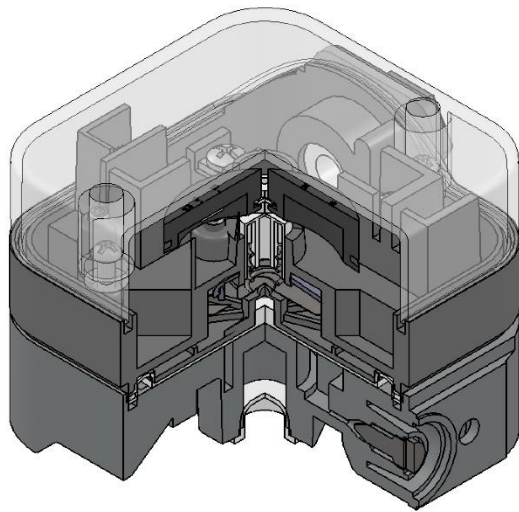
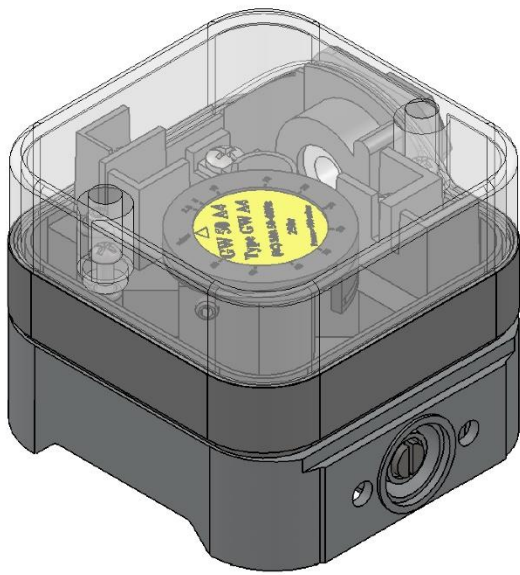


# PS GW 500



No .	Model	Adjust rang ( mbar)	Degree of protection	Differential pressure switch $\Delta p$ ( mbar )
5	GW 500 A 4	100 - 500	IP 54	$\Delta p \leq 10$

# ▶ Pressure Switch Diagram



# Some of our related companies

- ▶ Iran Radiator Co
- ▶ Atmosfer Co
- ▶ Garmiran Co
- ▶ Chauffagekar Co
- ▶ Azarban Co
- ▶ Pars Mashal Co.
- ▶ Eshteal Arak Co
- ▶ Kolak gosrat yazd Co
- ▶ Research Institute Of Petroleum Industry
- ▶ <http://www.sipiem.com>
- ▶ National Iranian Oil Company
- ▶ National Iranian Gas Company
- ▶ National Iranian Oil Refine and Distribution Company
- ▶ Iranian oil pipelines and Telecommunication Company
- ▶ Iranian gas transmission Company
- ▶ Manufacturing Support & procurement Kala Naft Tehran
- ▶ National Iranian South Oil Company
- ▶ Esfahan's Mobarakeh Steel Co

OUR PRODUCT IS IN FOLLOWING GOVERNMENTAL  
ASSOCIATIONS'S WENDOR LIST



NIOC



NIGC



NIORDC



IOPTC



KALA NAFT CO



IGTC



NISOC-OIL